

GPIO

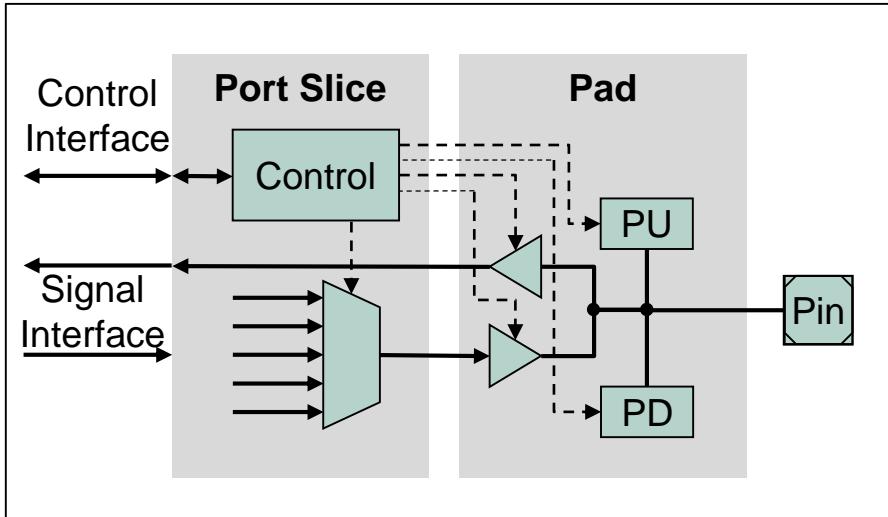
General Purpose Input Output

AURIX™ TC2xx Microcontroller Training
V1.0 2019-03



GPIO

General Purpose Input Output



Highlights

- › Digital input and output pins controlled by software or by peripherals
- › Capable to drive 5 V or 3.3 V output level
- › TTL or CMOS input hysteresis
- › Pin toggle with one CPU instruction

Key Features

High configuration capabilities

Access protection

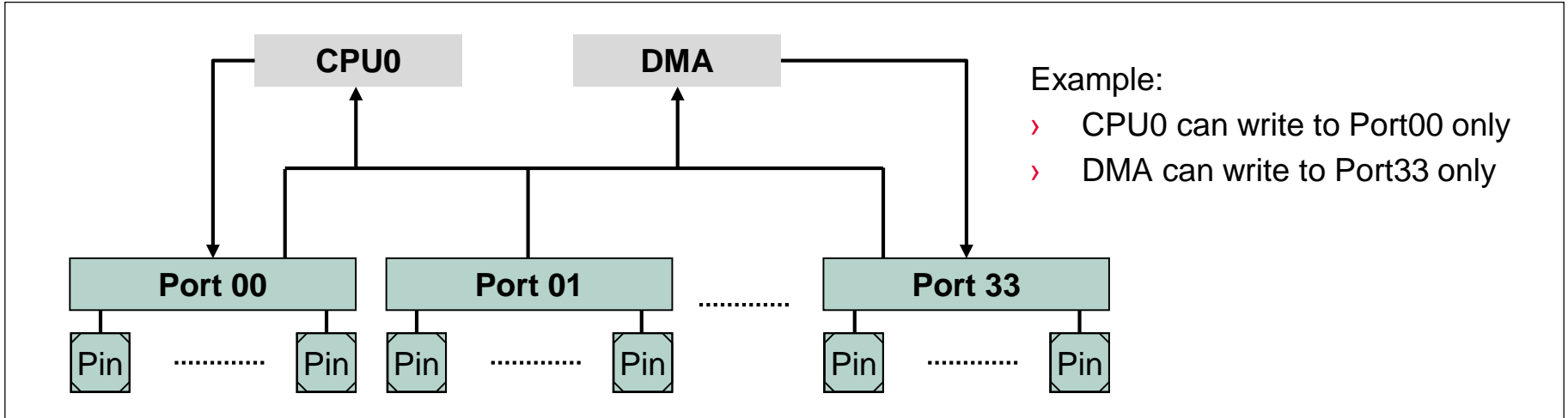
Port emergency stop

Customer Benefits

- › Flexible adaption of pin characteristics to application needs e.g. EMC
- › Protection against unintended modification of port configuration
- › Pre-defined pin states for critical situations without software intervention

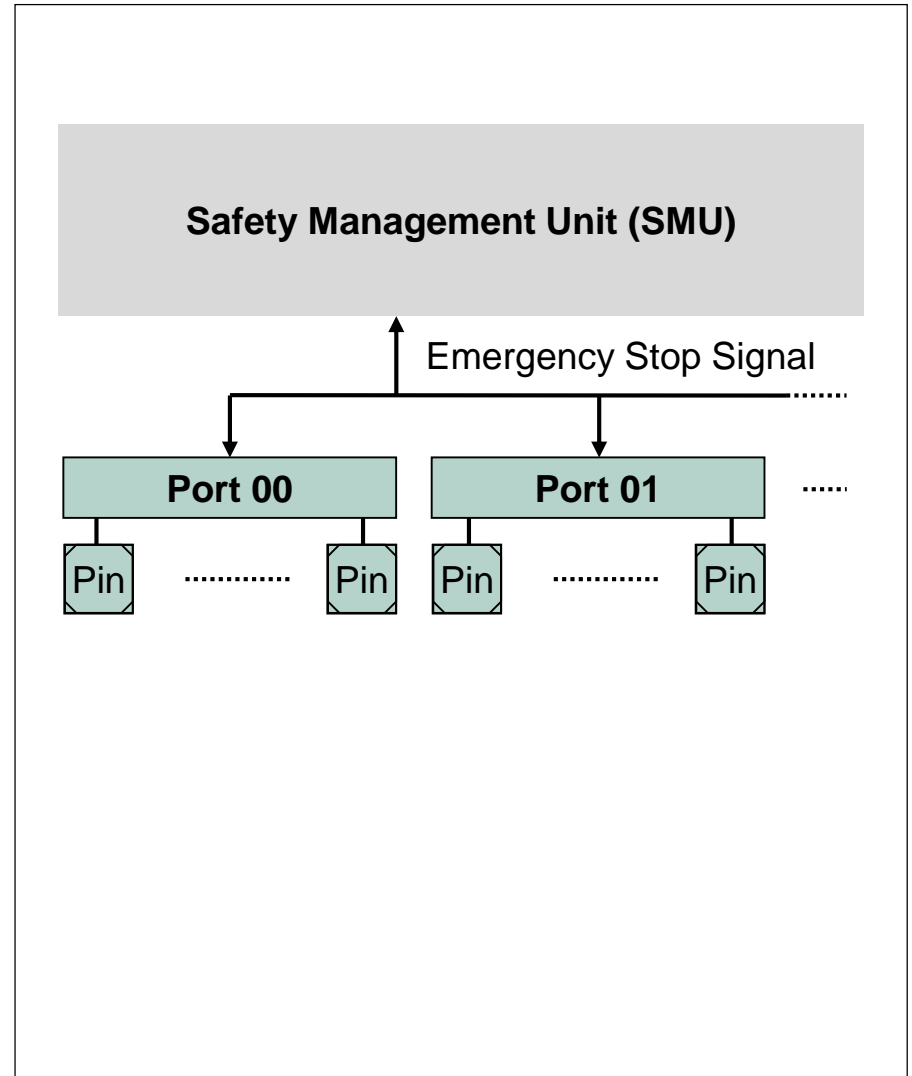
High configuration capabilities

- › Each port pin can be configured and controlled by software for input or output operation (general-purpose mode)
- › A port pin can be assigned to one of 7 peripheral **outputs**
- › Peripherals decide which **input** port pin to use as input
- › The level of a pin can always be read by software independent of whether the port pin operates as input or output
- › Configured as input:
 - an internal **pull-down** or **pull-up** devices can be connected
 - the user can select between 2 different **input hysteresis**
- › Configured as output:
 - **Push-pull** mode or **open-drain** mode can be selected
 - up to 4 different **speed grades** are available to apply the optimal balance between speed needs and EMC behavior of the application



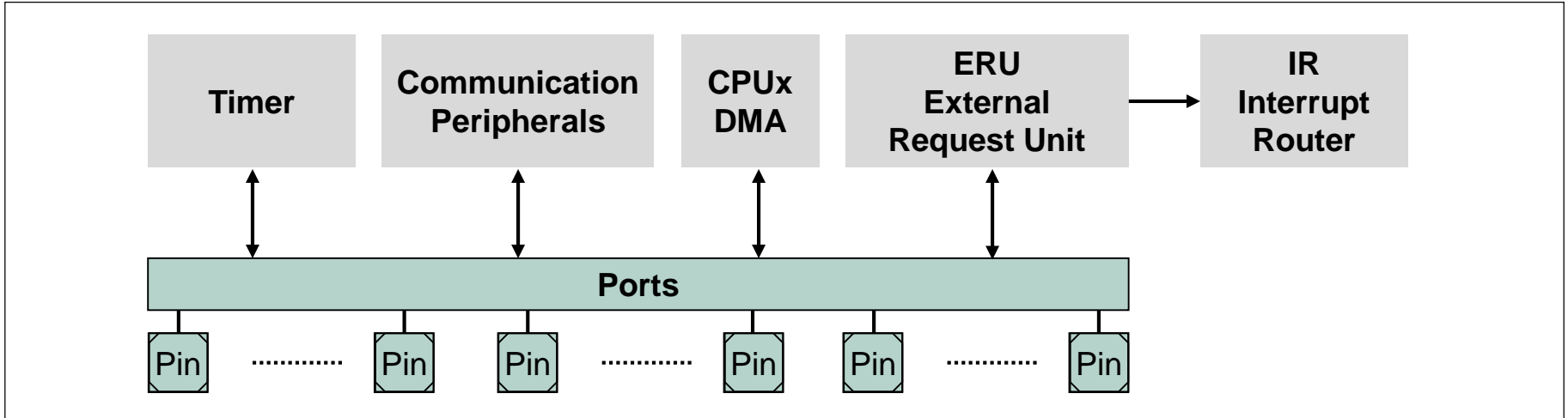
- > Unintended settings of port pins could cause serious and irreversible damages of the application hardware especially in high power applications
- > To avoid unintended modifications of port pin configurations during operation, AURIX™ provides a write protection for ports
 - The registers group of each port (e.g. P00, P01, P33, ...) can be protected against write accesses
 - Write accesses can be disabled separately for each bus master like e.g. CPUx, DMA, and HSSL

- › The emergency stop signal from the Safety Management Unit (SMU) forces port pins from output mode to general-purpose input mode
- › Emergency stop logic can be enabled for each port pin individually



GPIO

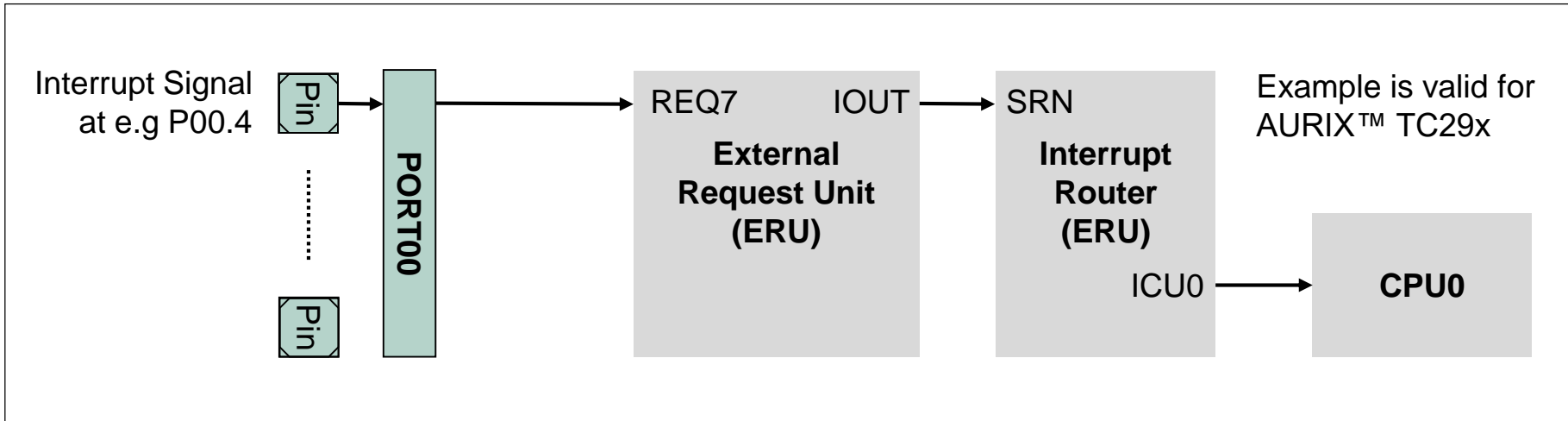
System integration



- › Almost all peripherals are interacting with port pins used as connection to the outside world
- › External interrupt signals (service requests) can be routed via the External Request Unit (ERU) to the Interrupt Router (IR)

Application example

External interrupt



Overview

- > The selected interrupt input pin P00.4 must be configured to input (optional: open drain mode, pull-device activated)
- > In the ERU the input REQ7 must be selected and routed to an output

Advantages

- > Several interrupt signals can be combined in the ERU and routed to one interrupt node
- > Up to 16 possible external interrupt inputs

Trademarks

All referenced product or service names and trademarks are the property of their respective owners.

Edition 2019-03

Published by

**Infineon Technologies AG
81726 Munich, Germany**

**© 2019 Infineon Technologies AG.
All Rights Reserved.**

Do you have a question about this document?

Email: erratum@infineon.com

Document reference

AURIX_Training_1_

General_Purpose_Input_Output

IMPORTANT NOTICE

The information given in this document shall in no event be regarded as a guarantee of conditions or characteristics (“Beschaffenheitsgarantie”).

With respect to any examples, hints or any typical values stated herein and/or any information regarding the application of the product, Infineon Technologies hereby disclaims any and all warranties and liabilities of any kind, including without limitation warranties of non-infringement of intellectual property rights of any third party.

In addition, any information given in this document is subject to customer’s compliance with its obligations stated in this document and any applicable legal requirements, norms and standards concerning customer’s products and any use of the product of Infineon Technologies in customer’s applications.

The data contained in this document is exclusively intended for technically trained staff. It is the responsibility of customer’s technical departments to evaluate the suitability of the product for the intended application and the completeness of the product information given in this document with respect to such application.

For further information on the product, technology, delivery terms and conditions and prices please contact your nearest Infineon Technologies office (www.infineon.com).

WARNINGS

Due to technical requirements products may contain dangerous substances. For information on the types in question please contact your nearest Infineon Technologies office.

Except as otherwise explicitly approved by Infineon Technologies in a written document signed by authorized representatives of Infineon Technologies, Infineon Technologies’ products may not be used in any applications where a failure of the product or any consequences of the use thereof can reasonably be expected to result in personal injury.